

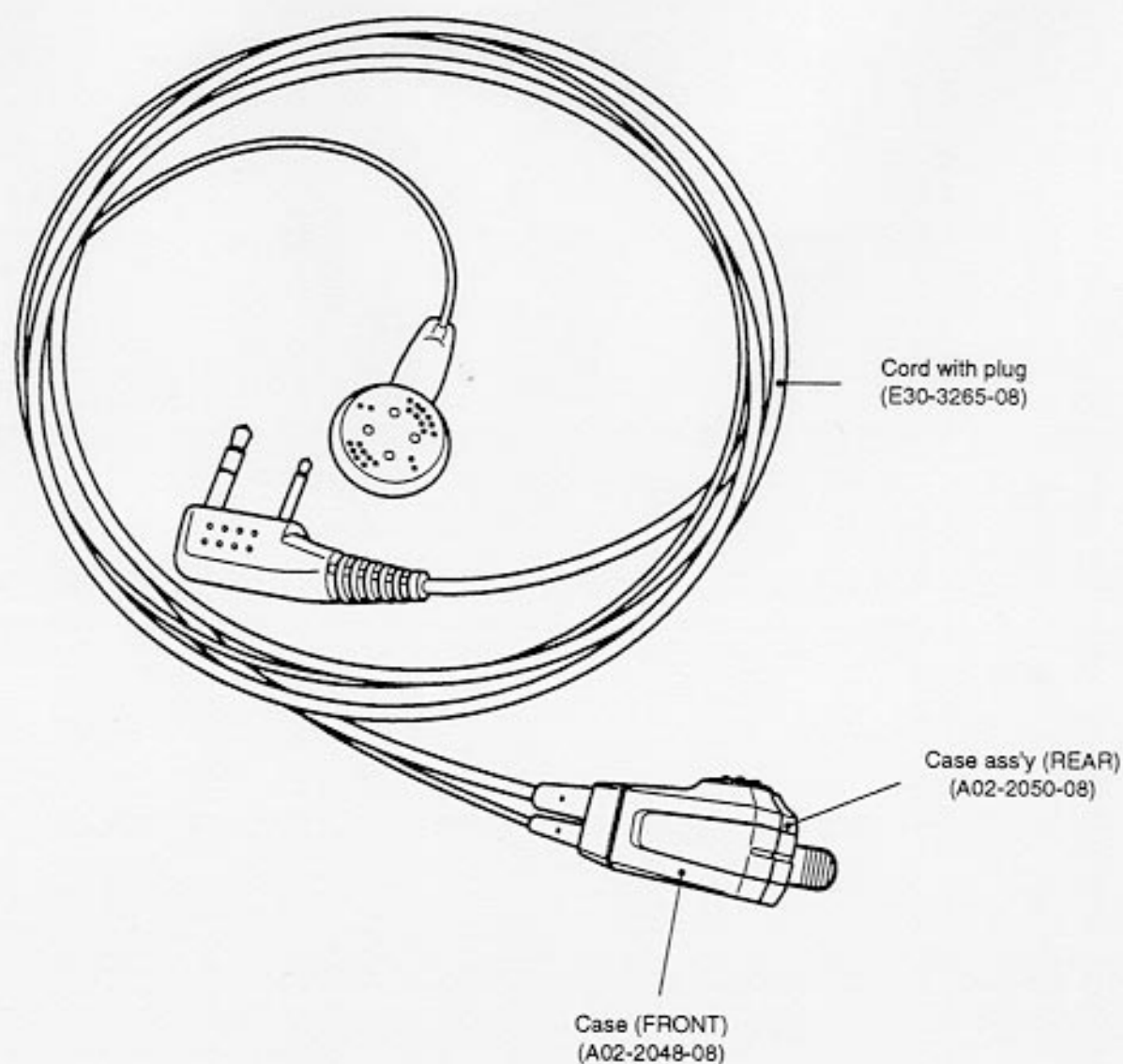
CLIP MICROPHONE WITH EARPHONE

# EMC-3

## SERVICE MANUAL

# KENWOOD

© 1997-3 PRINTED IN JAPAN  
B51-8393-00 (B) 1147



## SPECIFICATIONS

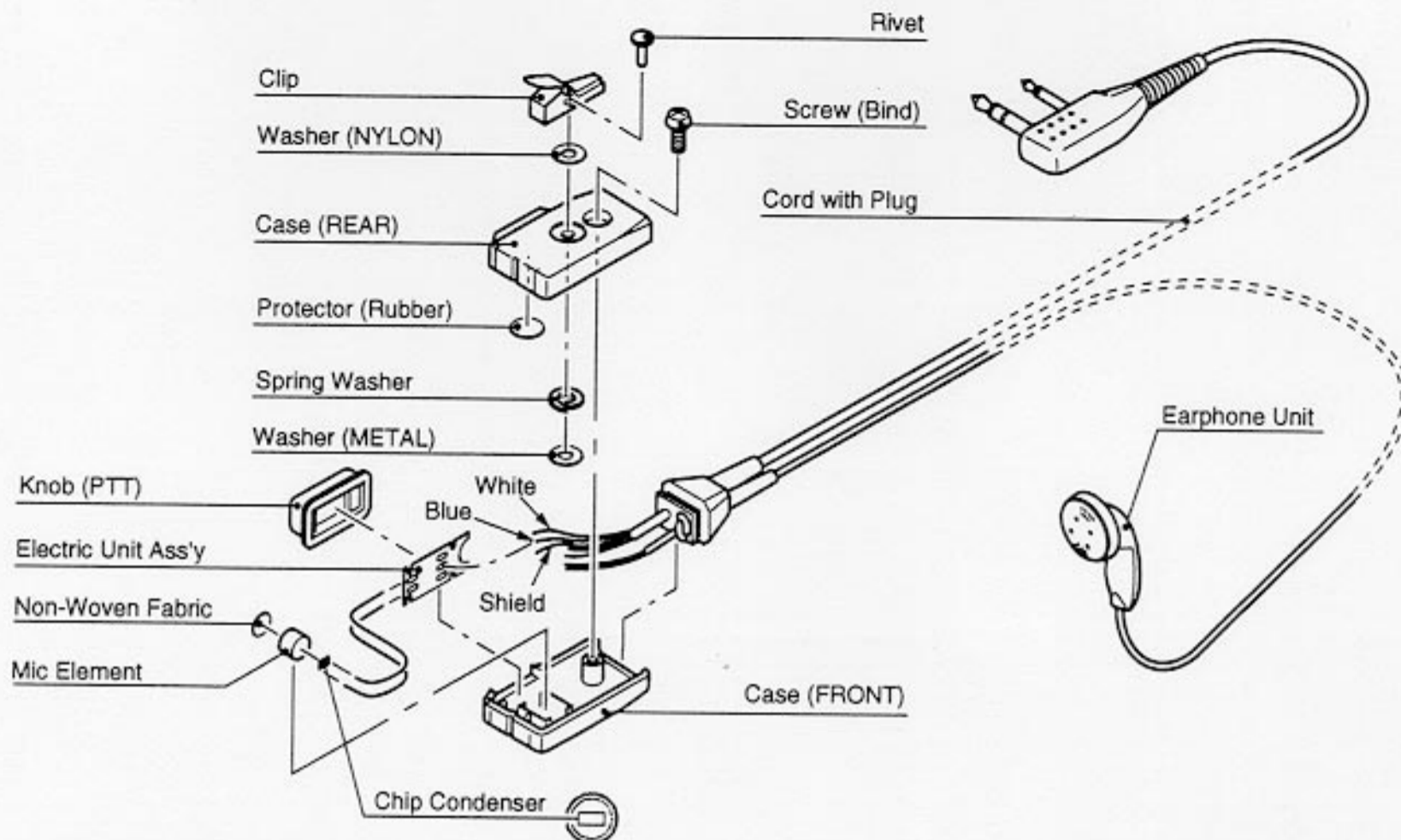
- Earphone unit
  - Type of element Dynamic
  - Output level 97dB
  - Nominal input Power 4mW
  - Impedance 150Ω
- Microphone unit
  - Type of element Electret-condenser
  - Sensitivity -62dB
  - Impedance 1.5kΩ
- Weight Approx. 20g

## PARTS LIST

New	Parts No.	Description
<b>EMC-3</b>		
•	A02-2048-08	CASE (FRONT)
•	A02-2050-08	CASE ASSY (REAR)
•	E30-3265-08	CORD WITH PLUG ASSY (E. P. BUSHING)
•	K29-5152-08	KNOB (PTT)
	S70-0408-05	TACT SWITCH (PTT)
	T91-0393-08	MIC ELEMENT
•	W22-0184-05	HEADPHONE MIC

# EMC-3

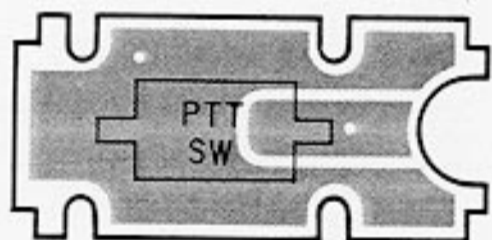
## EXPLODED VIEW



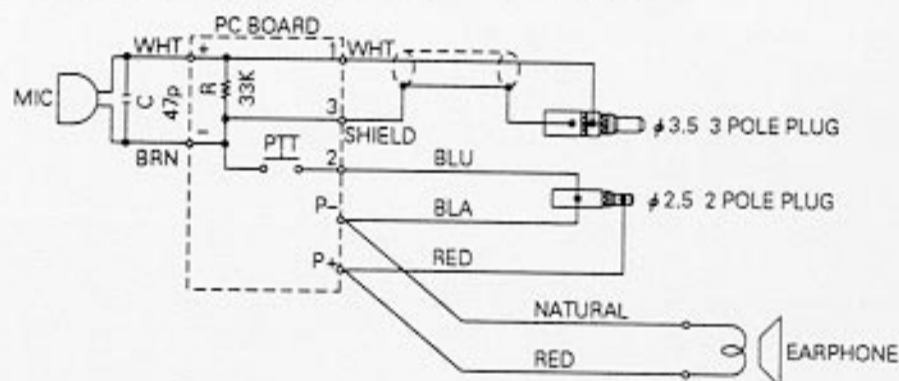
## PC BOARD

### ELECTRIC UNIT

Component side

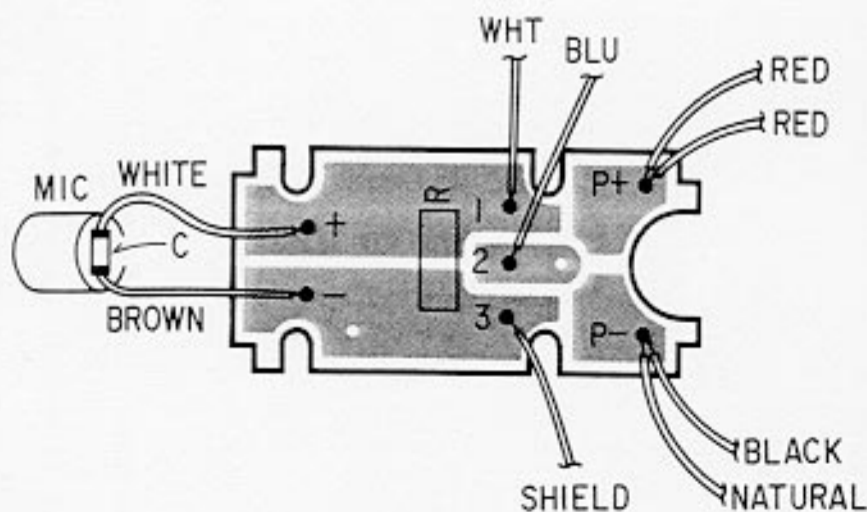


## SCHEMATIC DIAGRAM



### ELECTRIC UNIT

Soldering side



## KENWOOD CORPORATION

14-6, Dogenzaka 1-chome, Shibuya-ku, Tokyo 150, Japan

### KENWOOD SERVICE CORPORATION

P.O. BOX 22745, 2201 East Dominguez Street, Long Beach, CA 90801-5745, U.S.A.

### KENWOOD ELECTRONICS LATIN AMERICA S.A.

P.O. BOX 55-2791 Piso 6 Plaza Chase Cl. 47 y Aquilino de la Guardia Panama, Republic of Panama

### KENWOOD ELECTRONICS CANADA INC.

6070 Kestrel Road, Mississauga, Ontario, Canada L5T 1S8

### KENWOOD ELECTRONICS DEUTSCHLAND GMBH

Rembrücker Str. 15, 63150 Heusenstamm

### KENWOOD ELECTRONICS BELGIUM N.V.

Mechelsesteenweg 418 B-1930 Zaventem, Belgium

### KENWOOD ELECTRONICS FRANCE S.A.

13, Boulevard Ney, 75018 Paris, France

### KENWOOD ELECTRONICS U.K. LIMITED

KENWOOD House, Dwight Road, Watford, Herts., WD1 8EB United Kingdom

### KENWOOD ELECTRONICS NEDERLAND B.V.

Amsterdamseweg 35, 1422 AC Uithoorn, The Netherlands

### KENWOOD ELECTRONICS ITALIA S.p.A.

Via G. Sirtori, 7/9 20129 Milano, Italy

### KENWOOD IBERICA S.A.

Bolivia, 239-08020 Barcelona, Spain

### KENWOOD ELECTRONICS AUSTRALIA PTY. LTD.

(A.C.N. 001 499 074)

P.O. Box 504, 8 Figtree Drive, Australia Centre, Homebush, N.S.W. 2140, Australia

### KENWOOD & LEE ELECTRONICS, LTD.

Unit 3712-3724, Level 37, Tower one Metroplaza, 223 Hing Fong Road, Kwai Fong, N.T., Hong Kong